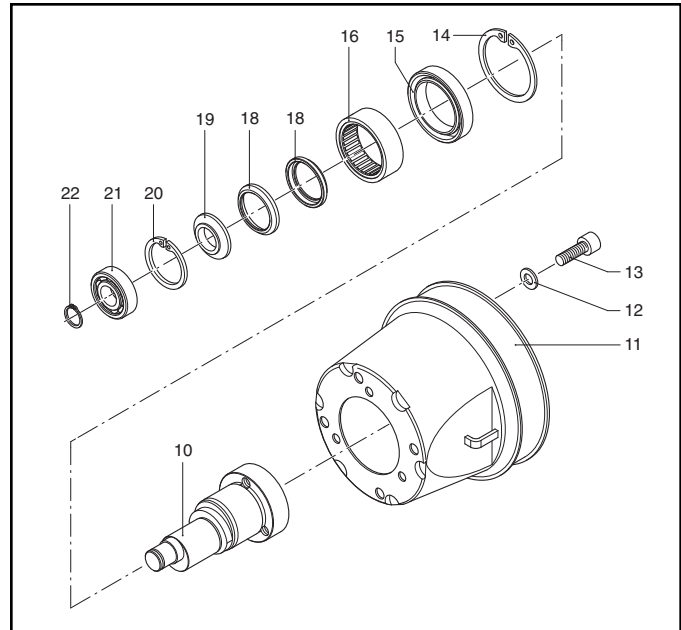
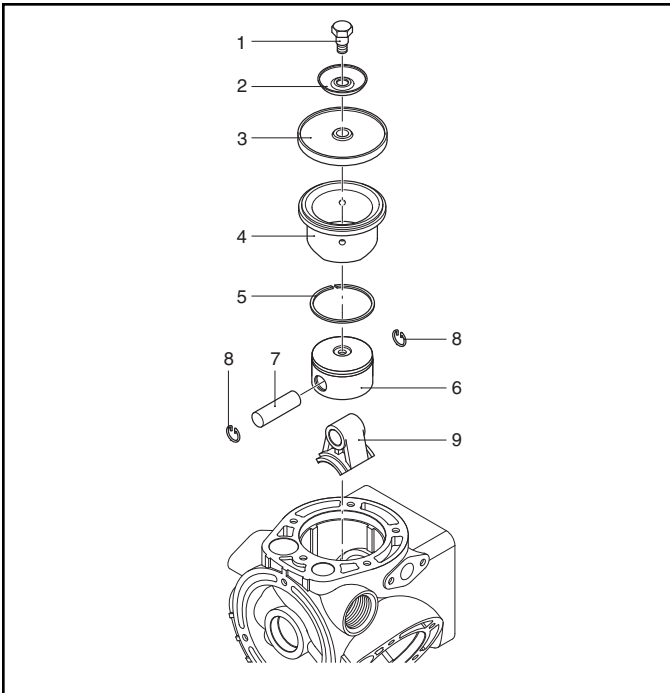
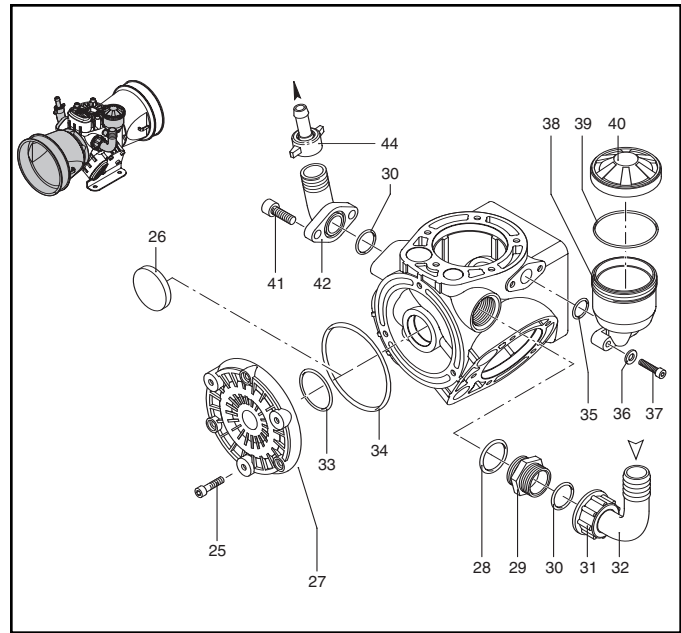
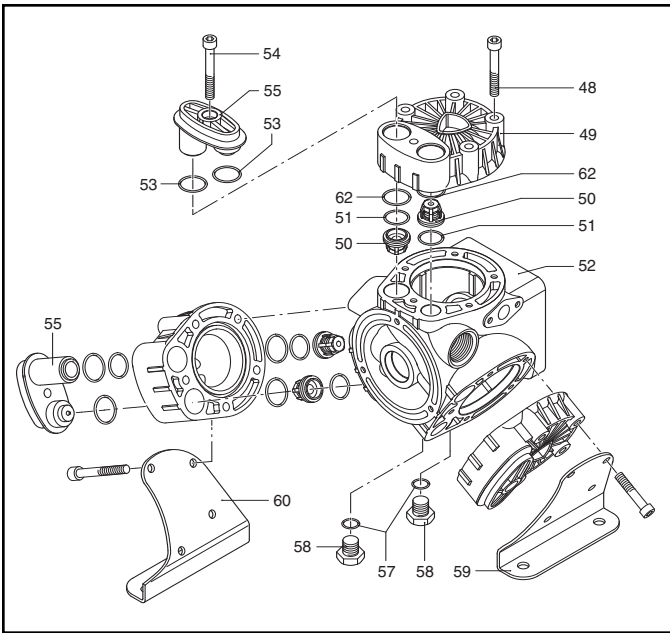


Models 9910-D303, D303GRGI, D403, & D403GRGI



NOTE: When ordering parts, give QUANTITY, PART NUMBER, DESCRIPTION, and COMPLETE MODEL NUMBER. Reference numbers are used ONLY to identify parts in the drawing and are NOT to be used as order numbers.

Figure 29

Models 9910-D303, D303GRGI, D403, & D403GRGI

Ref. No.	Part Number	Description	Qty.
1	9910-800090	Retaining Bolt	3
2	9910-800350	Plate	3
3 ¹	9910-800085	Diaphragm Desmopan (Std.)	3
3	9910-800080	Diaphragm Buna-N (Opt.)	3
3	9910-80008T	Diaphragm Buna-N with Teflon Coating (Opt.)	3
4	9910-1880051	Sleeve (D303)	3
4	9910-1880050	Sleeve (D403)	3
5	9910-1880110	Piston Ring	3
6	9910-1880060	Piston	3
7	9910-1880120	Piston Pin	3
8	9910-380080	Pin Ring	6
9	9910-1880070	Connecting Rod	3
10	9910-1880101	Shaft (D303)	1
10	9910-1880100	Shaft (D403)	1
11	9910-1500350	Guard	1
12	9910-900270	Washer	4
13	9910-820670	M10 X 16 Bolt	4
14	9910-620330	Retaining Ring	1
15	9910-620130	Seal Ring	1
16	9910-550060	Roller Bushing	1
17	9910-1880190	Seal Ring	1
18	9910-1880180	Connecting Rod Ring	2
19	9910-1880170	Spacer	1
20	9910-111120	Retaining Ring	1
21	9910-1461430	Bearing	1
22	9910-620291	Retaining Ring	1
25	9910-780060	M6 X 25 Bolt	3
26	9910-1880380	Seal	1
27	9910-1880020	Suction Manifold	1
28 ³	9910-390290	O-Ring	1
29	9910-550340	Threaded Adapter	1

Ref. No.	Part Number	Description	Qty.
30 ³	9910-550350	O-Ring	2
31	9910-550242	Ring Nut	1
32	9910-550370	Elbow (Hose Barb)	1
33 ³	9910-390201	O-Ring	1
34 ³	9910-1880130	O-Ring	1
35 ³	9910-390180	O-Ring	1
36	9910-550331	Washer	2
37	9910-1200440	M6 X 30 Bolt	2
38	9910-1040310	Oil Sight Glass	1
39	9910-650920	O-Ring	1
40	9910-1040322	Black Oil Tank Cap	1
41	9910-540290	M8 X 25 Bolt	2
42	9910-450145	Flange	1
44	9910-110130	1/2" Fitting and Hose	1
48	9910-800860	M8 X 55 Bolt	12
49	9910-1880030	Head	3
50 ²	9910-1889050	Complete Valve Assembly	6
51 ^{2,3}	9910-1140450	O-Ring	6
52	9910-1880010	Pump Body	1
53 ³	9910-1260420	O-Ring	6
54	9910-280080	M8 X 60 Bolt	3
55	9910-1880040	Right Valve Cover	3
57 ³	9910-740290	O-Ring	2
58	2406-0023	Drain Plug, oil	2
59	9910-1880080	Right Base	1
60	9910-1880090	Left Base	1
61	9910-620680	Key	1
62	9910-780050	O-Ring	6

¹ Denotes Diaphragm Kit 9910-KIT2423

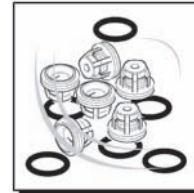
² Denotes Valve Kit 9910-KIT2388

³ Denotes O-Ring Kit 9910-KIT2389

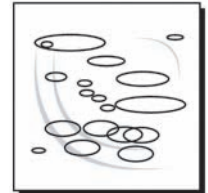
Ref. No.	Description	Tightening Torque	
		In. Lbs.	Nm
1	Bolt	87.5	9.8
13	Bolt	87.5	9.8
25	Bolt	87.5	9.8
37	Bolt	87.5	9.8
41	Bolt	175.0	19.6
48	Bolt	175.0	19.6
54	Bolt	175.0	19.6
58	Plug	175.0	19.6



9910-KIT2423 Diaphragm Kit Desmopan	
Ref. No.	Qty.
3	3



9910-KIT2388 Valve Kit	
Ref. No.	Qty.
50	6
51	6



9910-KIT2389 O-Ring Kit	
Ref. No.	Qty.
28	1
30	2
33	1
34	1
35	1
39	1
51	9
53	6
57	2
62	6