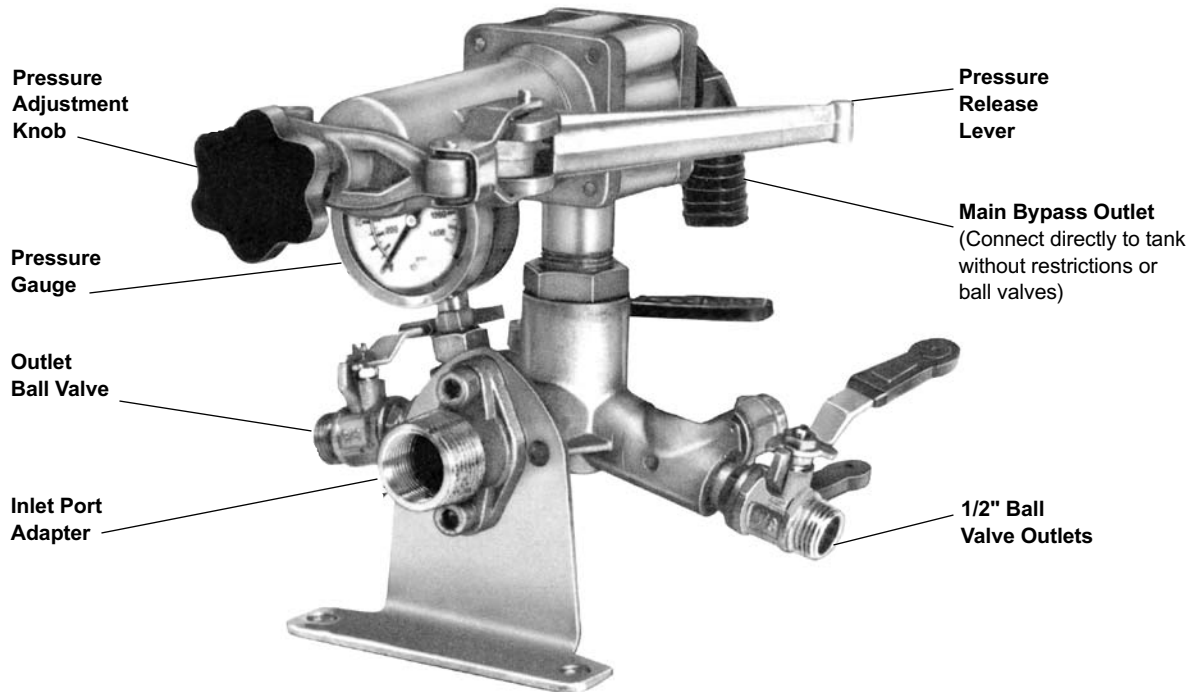


Control Unit 9910-GS50GI

The 9910-GS50GI control unit is designed for the control of pressures up to 725 psi and flows up to 48 gpm. It consists of an adjustable pressure relief valve, a manual pressure release lever, and three individual ball valve-controlled, 1/2" O.D., hose barb outlets.



Model 9910-GS50GI shown with Remote Mounting Kit No. 9910-KIT1742.

Installation

Remote Mounting* (Use Kit No. 9910-KIT1742)

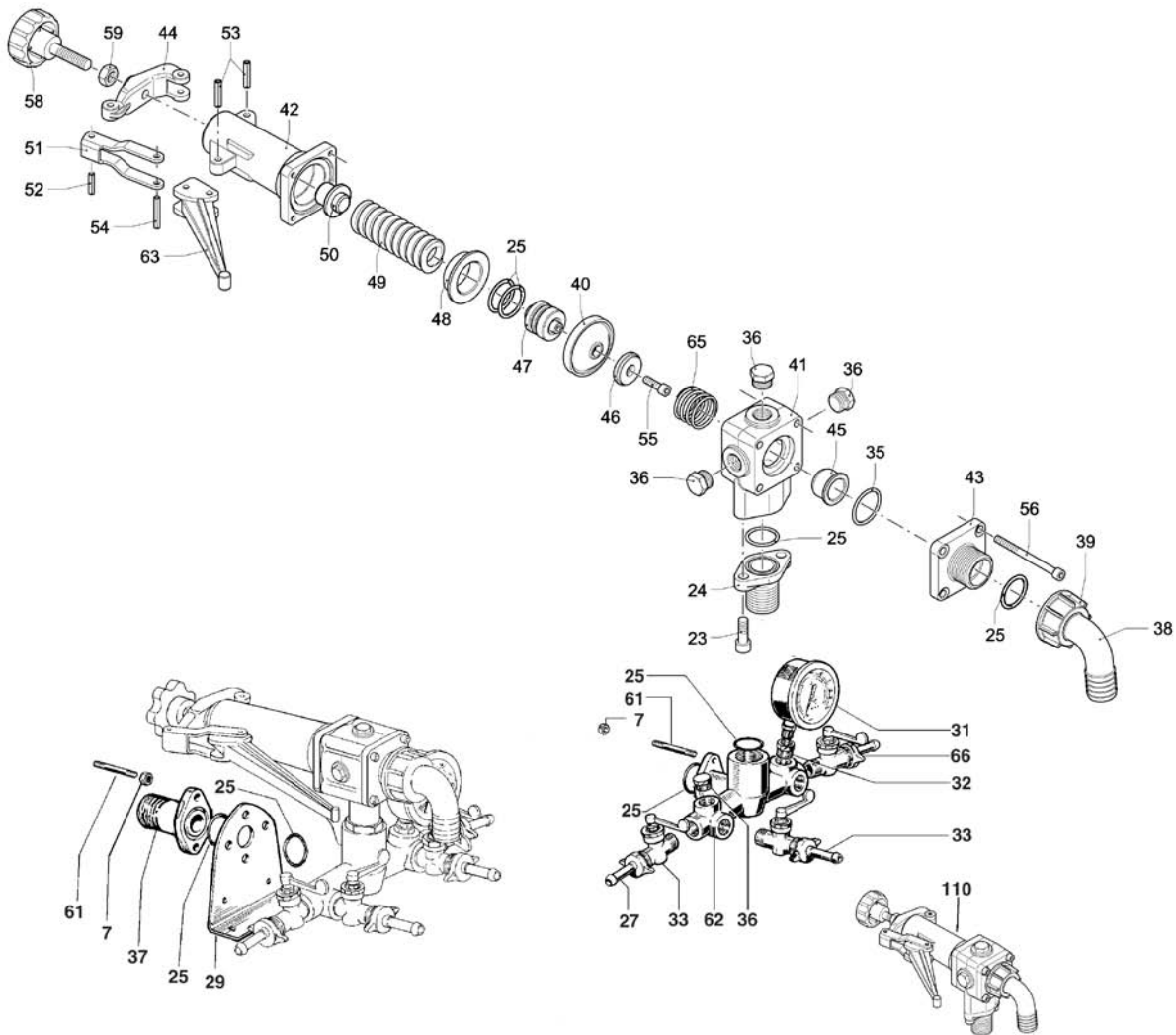
1. Remove the studs (Ref. 61) from the control unit body (Ref. 62).
2. Insert the lubricated o-rings (Ref. 25) into the groove of the relief valve body and the port adapter (Ref. 37).
3. Install the mounting bracket (Ref. 29) in the desired position and secure.
4. Mount the control unit and the port adapter on opposite sides of the mounting bracket and secure with studs (Ref. 61).
5. With a high pressure hose, connect the NPT fitting on the control unit to the NPT fitting on the discharge manifold of the pump.
6. Connect the bypass hose to the bypass port hose barb elbow (Ref. 38) and run it unrestricted back to the tank.
7. Connect the desired amount of lines to the outlet port hose barbs (Ref. 33). Unused ports can be shut off with the ball valve, or they can be plugged.

*Refer to the parts list on page 9 for part number references.

Operation

1. Refer to the pump operation instructions for the proper operation of the pump.
2. The control unit can be put into full bypass mode by lifting the pressure release lever into the up position.
3. With the pressure release lever in the down (pressure) position, pressure can be controlled with the adjustment knob at the end of the relief valve. Turning it clockwise will increase the operating pressure and turning it counterclockwise will decrease the pressure.
4. Flow can be controlled with the ball valves on each of the outlet ports.

Parts List for Control Unit 9910-GS50GI



REF. NO.	PART NUMBER	DESCRIPTION	QTY. REQ'D.
■ 7	9910-380240	Nut	2
23	9910-620610	Bolt	2
24	9910-850711	Flange 3/4"	1
• 25	9910-550350	O-Ring	6
26	9910-680330	Flange	1
27	9910-110131	Fitting 1/2"	3
■ 29	9910-320406	Bracket	1
31	2640-0002	Pressure gauge (1500 PSI)	1
32	9910-130170	Pipe reducer	1
33	9910-130491	Right ball valve	2
35	9910-280220	O-Ring	1
• 36	9910-130171	Plug	3
37	9910-550393	Port adapter	1
■ 38	9910-550370	Elbow, 90°	1
39	9910-550242	Barb nut	1
40	9910-390743	Diaphragm, Viton	1
• 41	9910-680412	Valve body	1
42	9910-680423	Spring housing	1
43	9910-680432	Discharge flange	1
44	9910-680442	Tension adj. support	1
45	9910-680460	Valve seat retainer	1
46	9910-680470	Valve seat	1
• 47	9910-680480	Valve piston	1
• 48	9910-680490	Piston valve seat	1

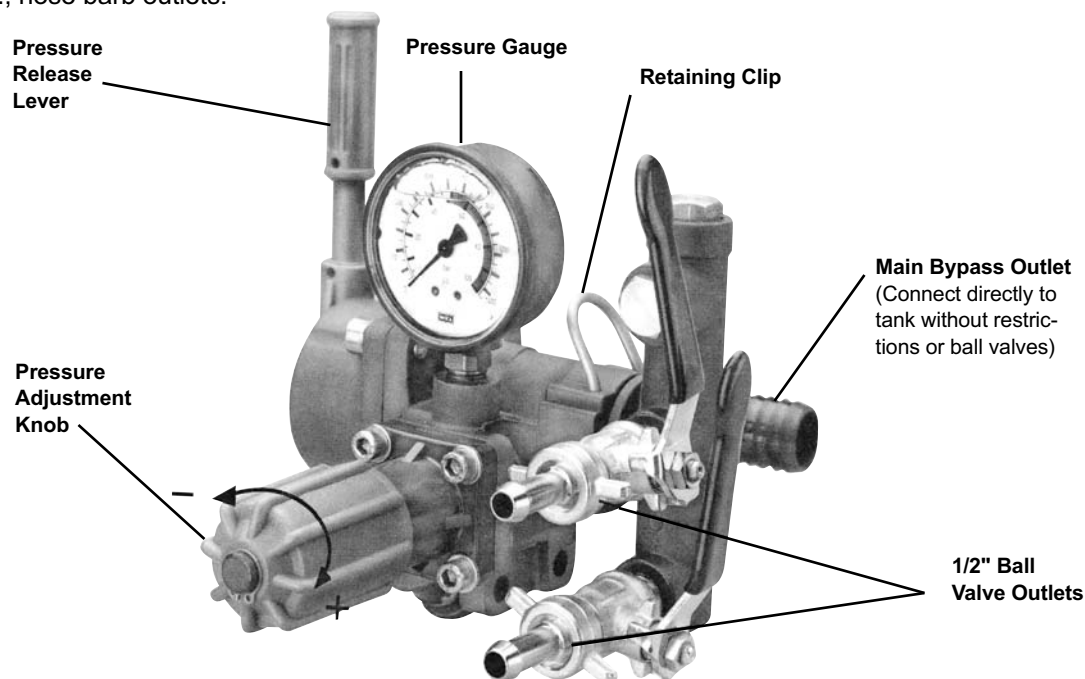
REF. NO.	PART NUMBER	DESCRIPTION	QTY. REQ'D.
49	9910-680500	Regulating spring	1
50	9910-680510	Spring guide	1
51	9910-680520	Lever guide	1
52	9910-680530	Lever guide pin	1
53	9910-680540	Support pin	2
54	9910-680550	Roll pin	1
55	9910-680700	Bolt	1
• 56	9910-680570	Bolt	4
58	9910-660130	Control knob	1
59	9910-180150	Nut	1
61	9910-720390	Stud	2
■ 62	9910-680400	Control unit body	1
63	9910-680452	Control lever	1
65	9910-320420	Spring	1
66	9910-130492	1/2" barb ball valve	1
• 110	9910-689060	Complete reg valve	1

• Repair Kit No. 9910-KIT1732 consists of: six Ref. 25, one Ref. 35, one Ref. 40, one Ref. 45, one Ref. 46, one Ref. 55, and one Ref. 65.

■ Remote mounting kit 9910-KIT1742 consists of: two Ref. 7, one Ref. 25, one Ref. 29, one Ref. 37, and two Ref. 61.

Control Unit 9910-VDR50

The Model 9910-VDR50 Control Unit is designed for the control of pressures up to 725 psi and flows to 35 gpm. It consists of an adjustable pressure relief valve, a manual pressure release lever, and two individual ball valve-controlled, 1/2" O.D., hose barb outlets.



Installation

Direct Mounting*

1. Locate the pump discharge manifold. With o-rings (Ref. 13) lubricated and in position on selector housing inlet (Ref. 17), plug into the discharge manifold of the pump. Lock into place with the retainer clip (Ref. 10) and cotter pin (Ref. 53).
2. Connect the bypass hose to the bypass port hose barb elbow (Ref. 1), and run it unrestricted back to the supply tank.
3. Connect the desired number of high pressure outlet hoses to the outlet hose barbs (Ref. 56). The unused hose barb can be shut off with the ball valves provided.

NOTE: For all discharge hoses, use hose with an operating pressure rating that is equal or greater than the maximum pressure rating of the pump.

Remote Mounting*

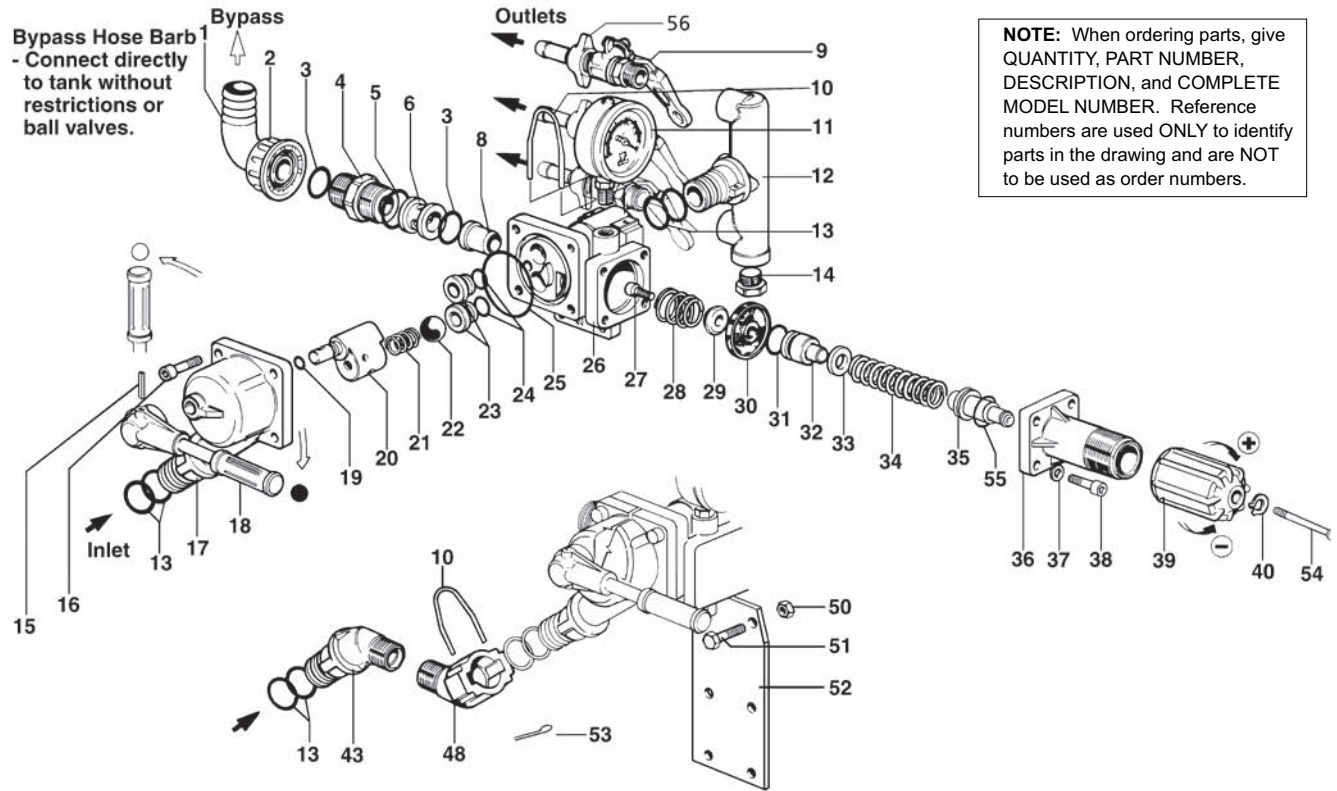
1. Install the mounting bracket (Ref. 52) in the desired position and secure.
2. With the o-rings (Ref. 13) lubricated and in position on the selector housing inlet (Ref. 17), assemble into the 3/4" (M) NPT female adapter (Ref. 48). Lock in place with the retainer clip (Ref. 10) and cotter pin (Ref. 53).
3. With o-rings (Ref. 13) lubricated and in position on the 3/4" (M) NPT male adapter (Ref. 43), slip into the pump discharge manifold. Lock in place with the retainer clip (Ref. 1) and the cotter pin (Ref. 53).
4. With high pressure hose, connect the NPT fitting on the discharge manifold of the pump with the NPT fitting on the control unit.
5. Connect the bypass hose to the bypass hose barb elbow (Ref. 1), on the control unit and run it unrestricted back to the tank.
6. Connect the desired number of high pressure outlet hoses to the outlet hose barbs (Ref. 56). Unused hose barbs can be shut off with the ball valves provided.

*Refer to the parts list on page 11 for part number references.

Operation

1. Refer to the pump operation instructions for the proper operation.
2. The control unit can be put into full bypass mode by turning the pressure release lever (Ref. 18) counter-clockwise as far as it will go.
3. With the pressure release lever (Ref. 18) rotated clockwise to pressure position, pressure can be adjusted by rotating the pressure adjustment knob (Ref. 39) clockwise for more pressure or counter-clockwise for less pressure.
4. Flow can be controlled by ball valves on each of the outlet ports.

Parts List for Control Unit 9910-VDR50



NOTE: When ordering parts, give QUANTITY, PART NUMBER, DESCRIPTION, and COMPLETE MODEL NUMBER. Reference numbers are used ONLY to identify parts in the drawing and are NOT to be used as order numbers.

REF. NO.	PART NUMBER	DESCRIPTION	QTY. REQ'D.
1	9910-550370	Hose Barb	1
2	9910-550242	Nut	1
3	9910-550350	O-ring	2
4	9910-1040780	Port Adapter	1
5	9910-550040	O-ring	1
6	9910-1040670	Spacer	1
8	9910-1040660	Valve Seat	1
9	9910-130491	Ball Valve w/o hose barb assy.	2
10	9910-1040690	Retainer Clip	2
11	9910-550545	Gauge	1
12	9910-1040680	Outlet Manifold	1
13	9910-390180	O-ring	8
14	9910-130171	Plug	2
15	9910-1040820	Pin	1
16	9910-180030	Bolt	4
17	9910-1040720	Selector Housing	1
18	9910-1040730	Pressure Release Lever	1
19	9910-1080200	O-ring	1
20	9910-1040700	Selector Body	1
21	9910-850680	Spring	1
22	9910-850660	Ball	1
23	9910-850650	Seat	2
24	9910-740290	O-ring	2
25	9910-1040710	O-ring	1
26	9910-1040600	Main Body	1

REF. NO.	PART NUMBER	DESCRIPTION	QTY. REQ'D.
27	9910-680560	Bolt	1
28	9910-1040650	Spring	1
29	9910-1040640	Valve Cap	1
30	9910-1040630	Diaphragm	1
31	9910-880830	O-ring	1
32	9910-1040620	Piston	1
33	9910-850440	Spacer	1
34	9910-1040830	Spring	1
35	9910-394770	Spring Guide	1
36	9910-1040610	Spring Guide Body	1
37	9910-550331	Washer	4
38	9910-780330	Bolt	4
39	9910-394790	Knob	1
40	9910-480550	Snap Ring	4
43	9910-1040761	3/4" (M) NPT Male Adapter	1
48	9910-1040771	3/4" (M) NPT Female Adapter	1
49	9910-550210	1" Straight Hose Barb	1
50	9910-390270	Nut	2
51	9910-180370	Bolt	2
52	9910-850690	Mounting Bracket	1
53	9910-1040950	Cotter Pin	2
54	9910-1150650	Bolt	1
55	9910-770130	O-ring	1
56	9910-110130	Hose barb assembly 1/2"	2