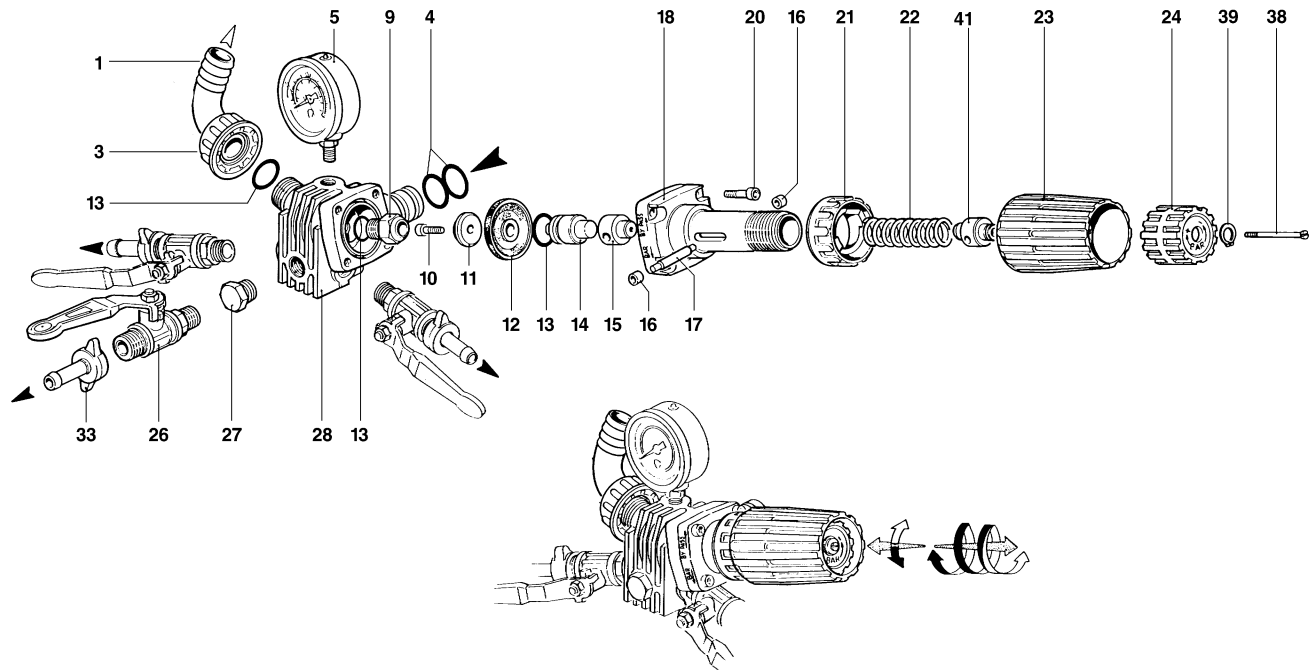
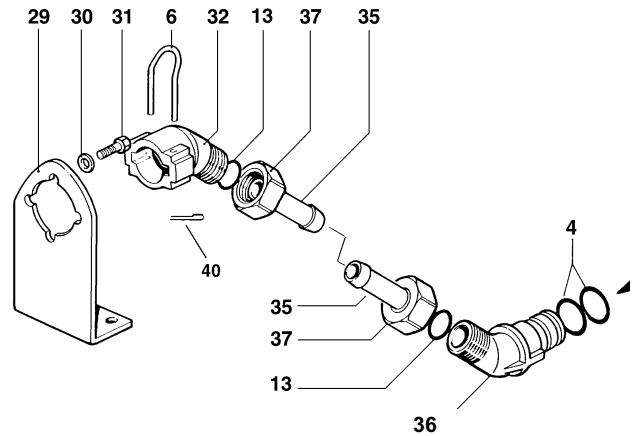


## Model 9910-RM40 Control Unit



**Repair Kit No. 3430-0605** Consists of:  
 Ref. 4 (4) O-ring, Ref. 9 (1) Valve seat,  
 Ref. 11 (1) Valve poppet, Ref. 12 (1)  
 Diaphragm and Ref. 13 (4) O-ring

9910-KIT1897 Remote Mounting Kit  
 includes a mounting bracket and  
 hose barbs as pictured at right.



**Figure 14-A**

Ref. No.	Part Number	Description	Qty.
1	9910-550460	Hose Barb 1/2"	1
3	9910-550450	Hose Barb Nut	1
4	9910-390180	O-Ring	4
5	9910-550545	Gauge	1
6	9910-1040690	Retaining Clip	1
9	9910-1150520	Valve Seat	1
10	9910-680560	Bolt	1
11	9910-1040640	Valve Poppet	1
12	9910-1040630	Diaphragm	1
13	9910-880830	O-Ring	5
14	9910-1040620	Piston	1
15	9910-1150560	Spacer	1
16	9910-1150600	Retaining Ring	2
17	9910-1150540	Pin	1
18	9910-1150510	Adjustment Body	1
20	9910-780330	Bolt	4
21	9910-1150530	Bypass Ring	1
22	9910-394760	Spring	1
23	9910-1150550	Adjustment Knob	1

Ref. No.	Part Number	Description	Qty.
24	9910-1150570	Spring Retainer	1
26	9910-130492	Ball Valve Assy. 1/2" Hose Barb	2
27	9910-130171	Plug	1
28	9910-1150500	Body-RM40	1
29	9910-1150590	Mounting Bracket	1
30	9910-390311	Washer	2
31	9910-180431	Bolt	2
32	9910-1040770	Inlet Adapter	1
33	9910-110130	Hose Barb 1/2"	2
34	9910-1040950	Cotter Pin	1
35	9910-1150580	Barb	2
36	9910-1040760	Outlet Adapter	1
37	9910-1040790	Nut	2
38	9910-1150650	Bolt	1
39	9910-480550	Retaining Ring	1
40	9910-1040950	Cotter Pin	1
41	9910-1150660	Spacer	1